

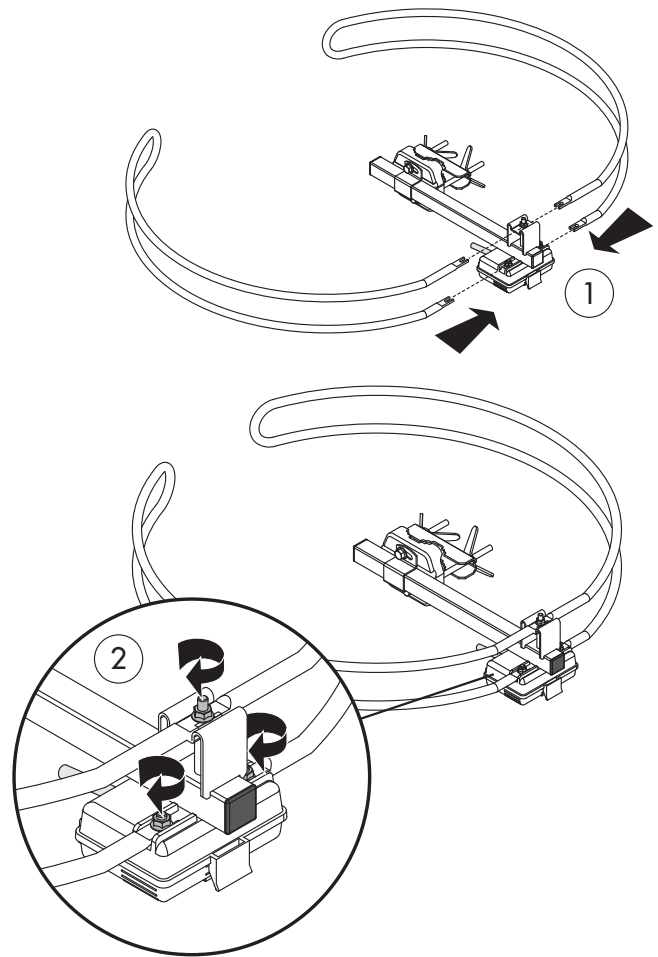


CÓMO MONTAR LA ANTENA FM-102
 HOW TO MOUNT THE FM-102 ANTENNA
 COMMENT MONTER L'ANTENNE FM-102

ANTENAS TV BANDA FM
 TV ANTENNAS FM BAND
 ANTENNES TV BANDE FM

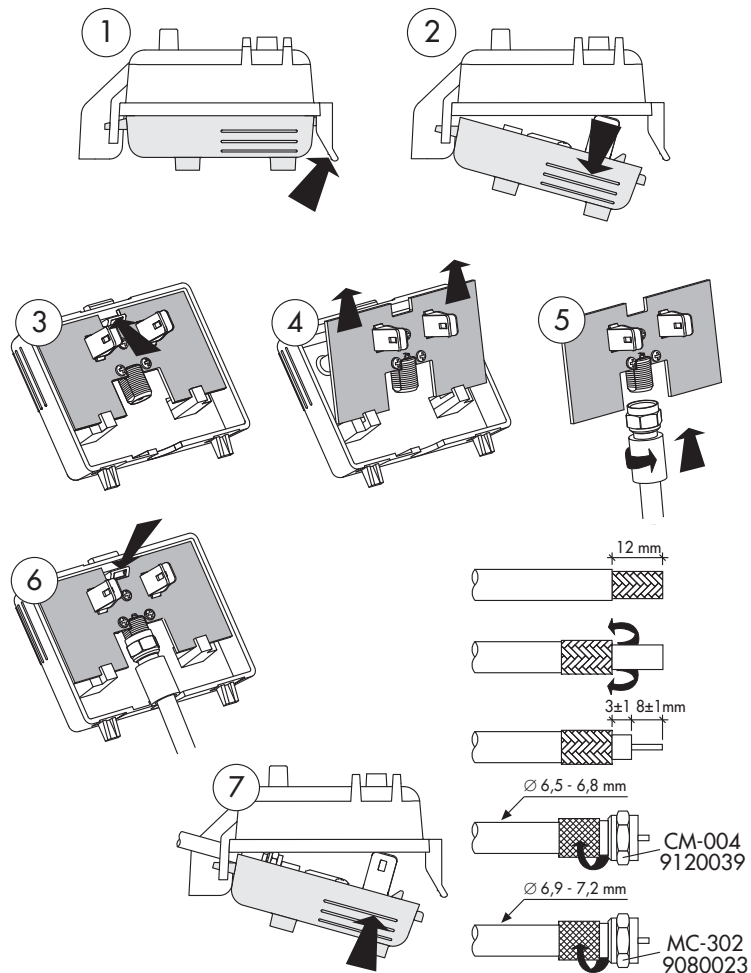
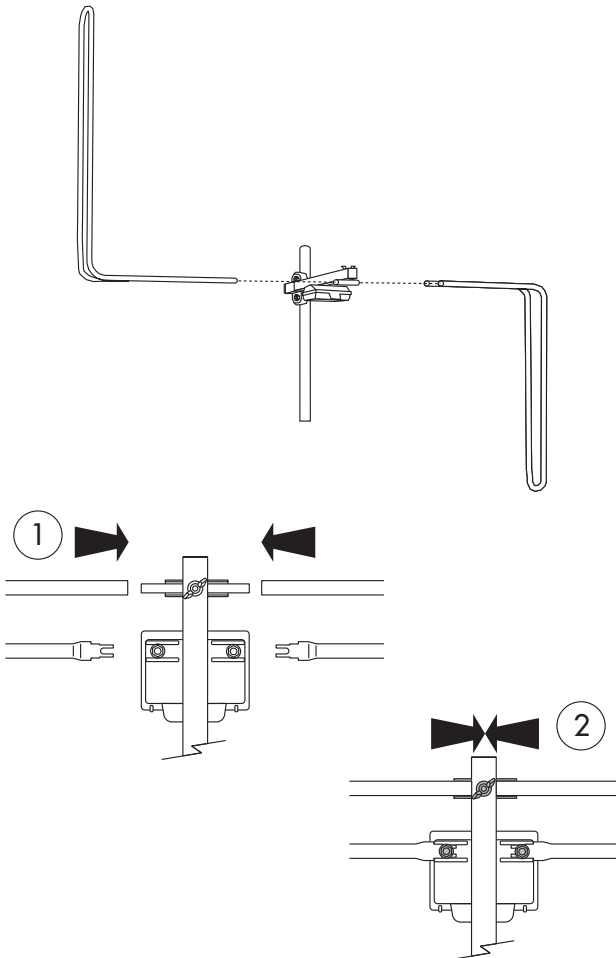


SERIE 900 SERIES



CÓMO MONTAR LA ANTENA FM-200
 HOW TO MOUNT THE FM-200 ANTENNA
 COMMENT MONTER L'ANTENNE FM-200

CÓMO CONECTAR EL CABLE COAXIAL EN LA CAJA DEL SIMETRIZADOR
 HOW TO CONNECT THE COAXIAL CABLE TO THE MATCHING TRANSFORMER
 COMMENT RELIER LE CÂBLE COAXIAL DANS LE BOÎTIER DU SYMÉTRISEUR



CÓDIGO-CODE-CODE	9000040		9000005	
MODELO-MODEL-MODELE	FM-102		FM-200	
Rango de frecuencias Frequency range Gamme de fréquences	MHz	88-108		
Ganancia Gain Gain	dBi	0	0 Hor -3 Ver	
Impedancia Impedance Impédance	Ω	75		
Pérdidas de retorno Return loss Pertes de retour	dB	≥ 10		
Polarización Polarity Polarisation		HOR/VER		
Ángulo de apertura Beam width Angle d'ouverture	$^{\circ}$ H $^{\circ}$ V	360 omnidireccional omnidirectionnelle		
Altura / Anchura Height / Width Hauteur / Largeur	mm	\varnothing 500	590 x 985	
Resistencia al viento Wind loading Résistance au vent	N	H 17 V 23	21 21	

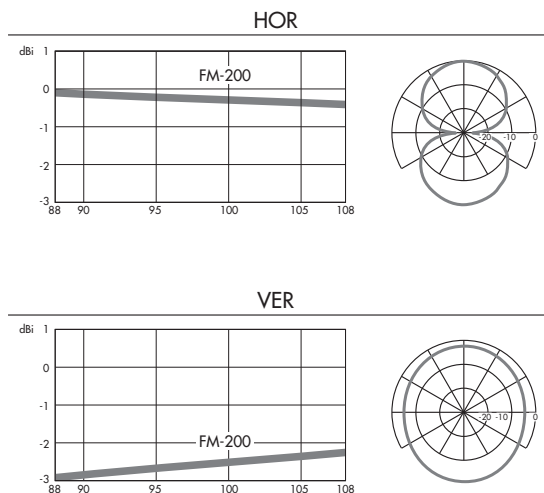
Todas las antenas incorporan simetrizador.
All antennas supplied with matching transformer.
Toutes les antennes ont un symétriseur.

La antena FM-102 se distribuye en 2 unidades por envase, y en envase unitario bajo el modelo FM-101 (Cod. 9000078).

The FM-102 antenna is distributed with 2 units per pack and singly as model FM-101 (Cod. 9000078).

On distribue l'antenne FM-102 en deux unités par emballage; pour une seule unité, l'antenne est distribuée sous le modèle FM-101 (Cod. 9000078)

CURVA DE GANANCIA Y DIAGRAMAS DE RADIACIÓN
GAIN AND RADIATION GRAPHICS
COURBE DU GAIN ET DIAGRAMME DE RAYONNEMENT



DECLARATION OF CONFORMITY

according to EN ISO/IEC 17050-1:2004

Manufacturer's Name: ALCAD, S.L.
Manufacturer's Address: Pol. Ind. Arreche-Ugalde, 1
Apdo. 455, 20305 IRÚN (Guipúzcoa), SPAIN

declares that the product

Model Number(s): FM-102, FM-200, FM-101
Product Description: TV ANTENNAS FM BAND
Product Option(s): INCLUDING ALL OPTIONS

is in conformity with:

Safety: EN 50083-1:1993

The product herewith complies with the requirements of the Low Voltage Directive 2006/95/EC and the EMC Directive 2004/108/EC.

Supplementary information: To comply with these directives, do not use the products without covers and operate the system as specified.



Irún (SPAIN), 22 Jun 2009

Francisco Navarro
General Manager

Cod. 26/0700 - Rev. 02

Especificaciones sujetas a modificación sin previo aviso
Specifications subject to modifications without prior notice
Les spécifications sont soumises à de possibles modifications sans avis préalable



ALCAD, S.L.
Tel. 943 63 96 60
Fax 943 63 92 66
Int. Tel. +34 - 943 63 96 60
info@alcad.net
Apdo. 455 - Pol. Ind. Arreche-Ugalde,1
20305 IRUN - Spain
www.alcad.net

FRANCE - Hendaye
Tel. 00 34 - 943 63 96 60

GERMANY - Munich
Tel. 089 55 26 480

CZECH REPUBLIC - Ostrovačice
Tel. 546 427 059

UNITED ARAB EMIRATES - Dubai
Tel. 971 4 887 19 50



ISO 9001



AENOR
E.R-0196/1996