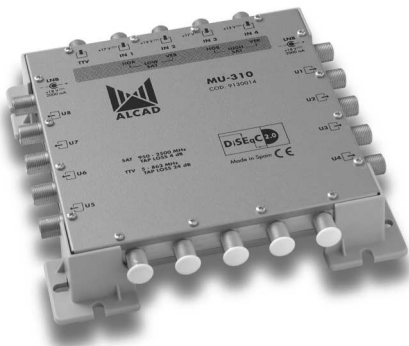




SISTEMA DE MULTICONMUTADORES
MULTISWITCH SYSTEM
SYSTÈME MULTICOMMUTATEUR



SERIE 913 SERIES

MULTICONMUTADORES - MULTISWITCHES - MULTICOMMUTATEURS

CÓDIGO-CODE-CODE	9130013			9130014			9130015			
MODELO-MODEL-MODELE	MU-110			MU-310			MU-610			
Entradas/salidas/derivaciones Inputs/outputs/taps Entrées/sorties/dérivations		5 / 0 / 4			5 / 0 / 8			5 / 0 / 16		
Rango de frecuencia Frequency range Gamme de fréquences	Band	VR/TV	SAT		VR/TV	SAT		VR/TV	SAT	
	MHz	5-862	950-2150	2150-2500	5-862	950-2150	2150-2500	5-862	950-2150	2150-2500
Atenuación de derivación Tap loss Atténuation de dérivation	dB ±TOL	24 ±3,0	4 ±3,0		24 ±3,0	4 ±3,0		24 ±3,0	4 ±3,0	
Equalización fija Fixed equalization Pente fixe	dB	9	8	-	9	8	-	9	8	-
Nivel de salida Output level Niveau de sortie	dB μ V	-	100 (IMD ₃ -35 dB) 90 (IMD ₂ -35 dB)		-	100 (IMD ₃ -35 dB) 90 (IMD ₂ -35 dB)		-	100 (IMD ₃ -35 dB) 90 (IMD ₂ -35 dB)	
Rechazo entre bandas Rejection between bands Rejection entre bandes	dB	>25 TV/SAT >65 SAT/TV								
Desacoplo entre usuarios Isolation between users Découplage entre utilisateurs	dB	>40 TV >30 SAT								
Desacoplo de conmutación Isolation of switching Découplage de commutation	dB	>30 SAT/SAT								
Conmutación de las salidas Switching the outputs Commutation des sorties		DiSEqC 2.0 13 V $\overline{\text{---}}$ /17 V $\overline{\text{---}}$ 0/22 KHz								
Alimentación de las LNB Power supply of the LNB Alimentation des LNB		2000 mA / 18 V $\overline{\text{---}}$								
Consumo desde el receptor Consumption from the receiver Consumation du récepteur	mA	50 \pm 2,0 (12..20 V $\overline{\text{---}}$)								

IMD₃ -35 dB: 2 equal carriers, EN 50083-5
 IMD₂ -35 dB: 2 equal carriers, EN 50083-5

Data published in compliance with the definitions and measurement methods of the following standards: EN 50083-3, EN 50083-4 and EN 50083-5

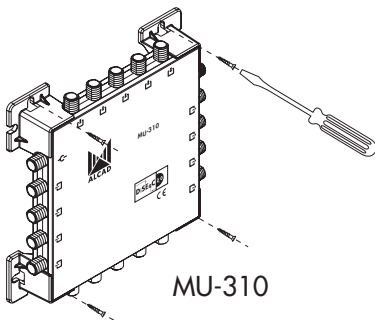
ALIMENTADOR - POWER SUPPLY - ALIMENTATION

CÓDIGO-CODE-CODE		9130054	
MODELO-MODEL-MODELE		FU-612	
Tensión de salida Output voltage Tension de sortie	V $\overline{\text{---}}$	18	
	mA	2000 (In continuous operation)	
Tensión de red Mains voltage Tension secteur	V \sim	230 \pm 15%	240 $^{+10\%}$ $^{-18\%}$ 50/60 Hz
	VA	105	

EQUIPO COMPLETO - COMPLETE SYSTEM - ÉQUIPEMENT COMPLET

		913 SERIES	
Temperatura en proximidad del equipo Operating temperature close to equipment Température en proximité de l'équipement	°C	-10..+65	
Temperatura ambiente con/sin ventilador Room temperature with/without fan Température ambiante avec ou sans ventilateur	°C	-10..+55/+45	
Índice de protección Protection index Indice de protection		IP 20	

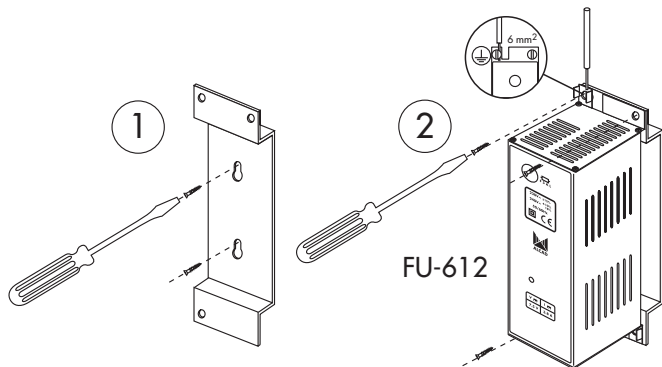
CÓMO FIJAR EL MULTISWITCH HOW TO FIX THE MULTISWITCH COMMENT FIXER LE MULTISWITCH



CÓMO FIJAR LOS ALIMENTADORES

HOW TO FIX THE POWER SUPPLIES

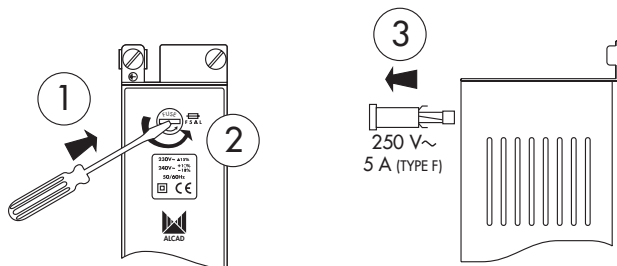
COMMENT FIXER LES ALIMENTATIONS



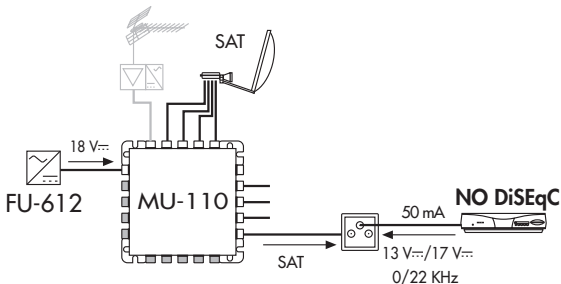
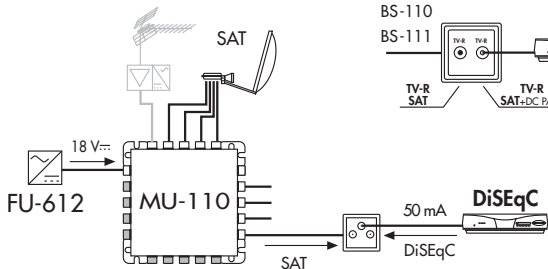
CÓMO SUSTITUIR EL FUSIBLE

REPLACING THE FUSE

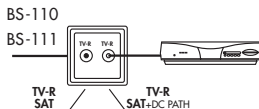
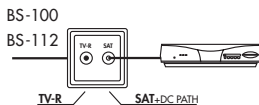
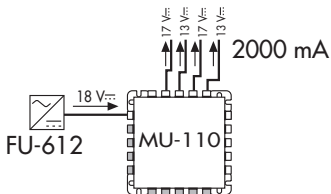
REPLACER LE FUSIBLE



CONMUTACIÓN DE LAS SALIDAS SWITCHING THE OUTPUTS COMMUTATION DES SORTIES

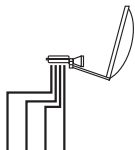


CÓMO ALIMENTAR LAS LNB HOW TO FEED THE LNB COMMENT ALIMENTER LES LNB



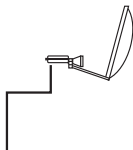
INSTALACIÓN DE LNBS
INSTALLING LNB
INSTALLATION DES LNB

QUATRO



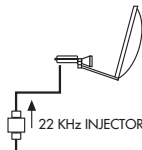
High Horizontal
High Vertical
Low Horizontal
Low Vertical

UNIVERSAL



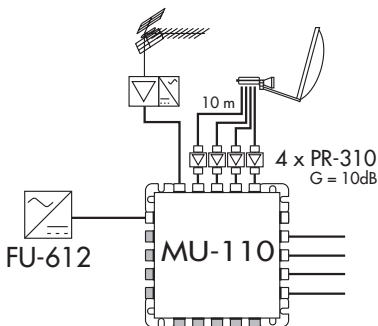
Low Horizontal
Low Vertical

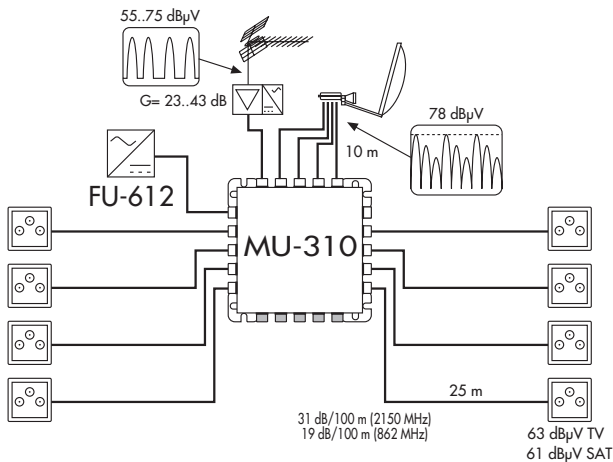
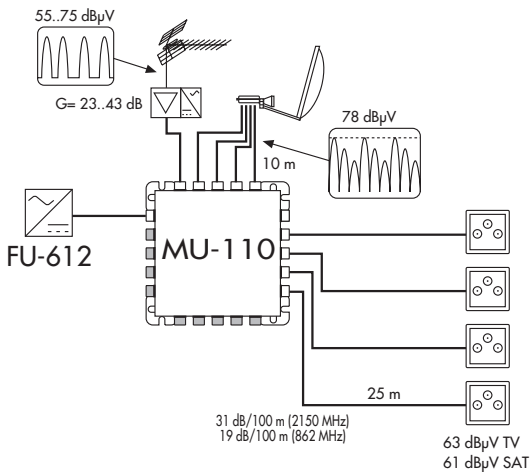
UNIVERSAL

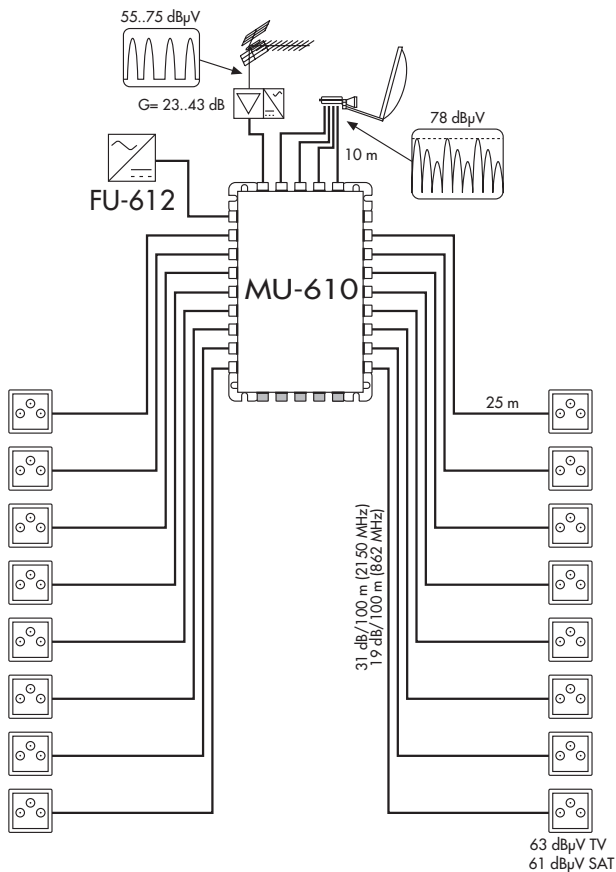


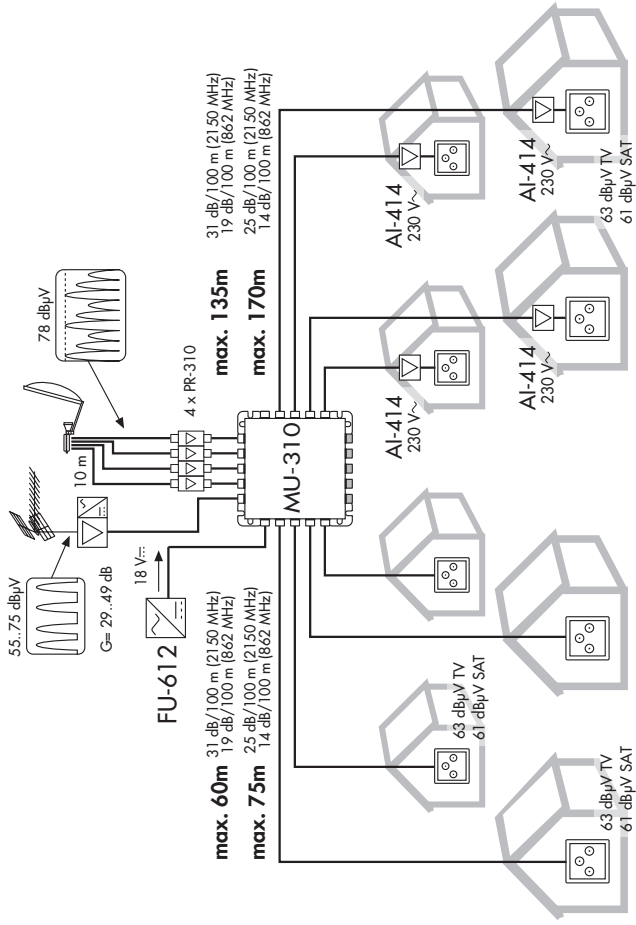
High Horizontal
High Vertical

PREAMPLIFICACIÓN DE LA SEÑAL DE ANTENA
PREAMPLIFICATION OF THE ANTENNA SIGNAL
PRE AMPLIFICATION DU SIGNAL D'ANTENNE











DECLARATION OF CONFORMITY

according to EN ISO/IEC 17050-1:2004

Manufacturer's Name: ALCAD, S.A.
Manufacturer's Address: Pol. Ind. Arreche-Ugalde, 1
Apdo. 455
20305 IRUN (Guipúzcoa)
SPAIN

declares that the product
Product Name: 913 Series: MULTISWITCH SYSTEM
Model Number(s): MU-110, MU-310, MU-610, FU-612

Product Option(s): INCLUDING ALL OPTIONS

is in conformity with:
Safety: EN 50083-1:1993
EMC: EN 50083-2:2001

Supplementary Information:

The product herewith complies with the requirements of the Low Voltage Directive 2006/95/CE and the EMC Directive 89/336/EEC and their relevant amendments, gathered under the directive 93/68/EEC.

Note: to comply with these directives, do not use the products without covers and operate the system as specified.



Irún,

06-02-07

Date

Anton Galarza / General Manager

Especificaciones sujetas a modificación sin previo aviso
Specifications subject to modifications without prior notice
Les spécifications sont soumises à de possible modifications sans avis préalable



ALCAD, S.A.
Tel. 943 63 96 60
Fax 943 63 92 66
Int. Tel. +34 - 943 63 96 60
info@alcad.net
Apdo. 455 - Pol. Ind. Arreche-Ugalde, 1
20305 IRUN - Spain

www.alcad.net

FRANCE - Hendaye
Tel. 00 34 - 943 63 96 60

GERMANY - Munich
Tel. 089 55 26 480

CZECH REPUBLIC - Ostrovacice
Tel. 546 427 059

UNITED ARAB EMIRATES - Dubai
Tel. 971 4 887 19 50



ISO 9001

